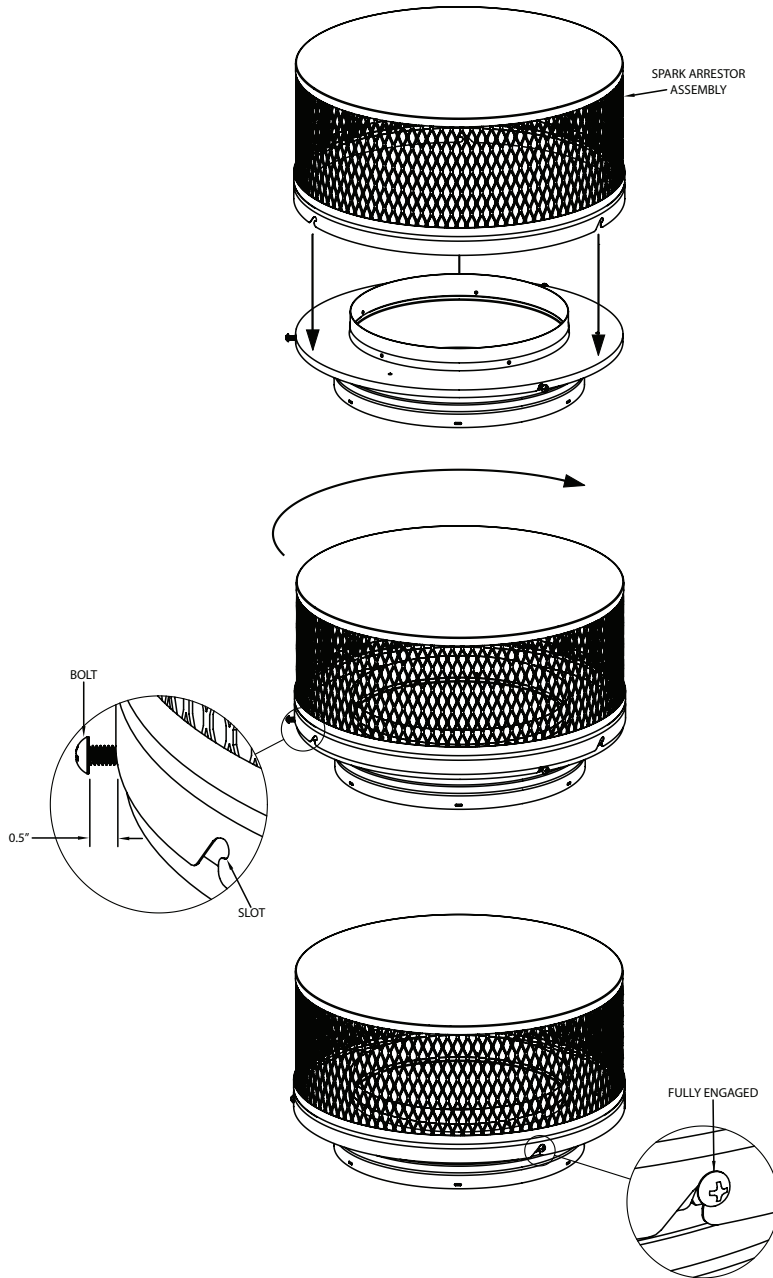


# DuraVent® - DuraTech®: New Chimney Cap Assembly L1510 Installation Instruction Addendum

# DuraTech®

**Spark Arrestor Assembly Installation/Removal:** To remove the Spark Arrestor Assembly for cleaning, loosen the three bolts that attach it without fully removing them, then twist the spark arrestor assembly counter-clockwise while lifting upwards. To reinstall, lower the spark arrestor assembly onto the three loosened bolts (without aligning the slots and bolts), then twist the spark arrestor assembly clockwise until the slots drop onto the bolts. Ensure that the bolts are fully engaged in the slots, then tighten the bolts to secure the spark arrestor assembly.

## Assembly Process



# DuraVent®

c **UL** us  
LISTED  
MH7399

L1510\_820016233\_Installation Instruction Addendum 05-14-18